

## Products

stainless steel tanks and equipment for wine, olive oil...



All products



Storage and fermentation



Wineficators



Tanks for olive oil



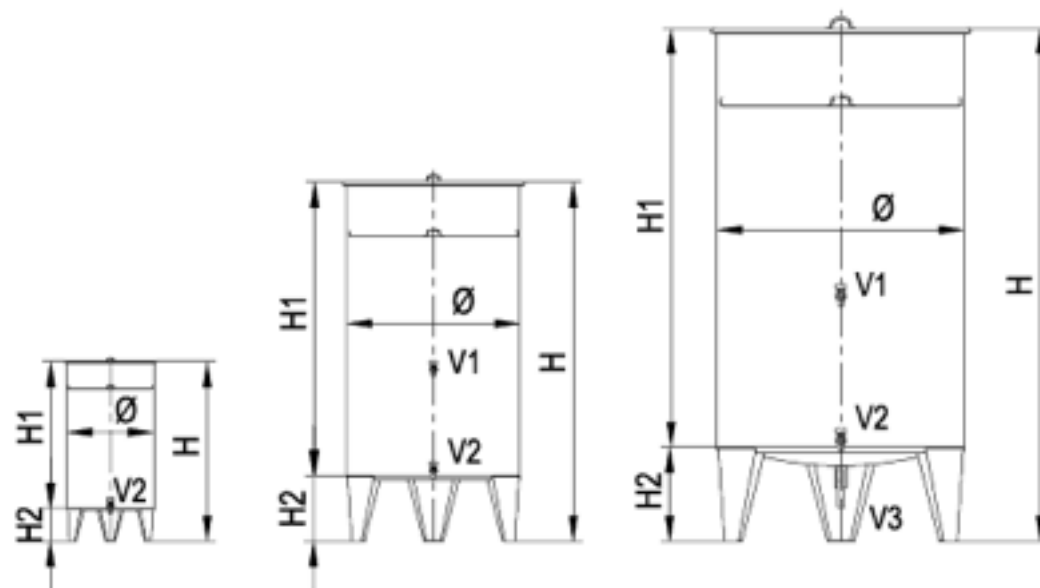
Other products

pp  
tank



### Basic equipment:

dust cap  
floating cap  
sampling tap  
tap on clean discharge  
ball valve on total discharge (starting PP320A6)  
conical off-centered bottom (starting PP320A6)  
material AISI304/BA (W.Nr.1.4301/IIIId)  
polished with rotated overlapping pads  
taps and valves made of stainless steel



Type	Volume (lit)	Ø (mm)	H2 (mm)	H1 (mm)	H (mm)	V1	V2	V3
PP 15 A2	15	246	210	320	530	-	1/2"	-
PP 50 A4	50	360	280	485	765	-	1/2"	-
PP 100 A4	100	420	280	735	1015	1/2"	1/2"	-
PP 150 A5	150	510	280	735	1015	1/2"	1/2"	-
PP 200 A5	200	510	280	985	1265	1/2"	1/2"	-
PP 320 A6	320	637	280	985	1265	1/2"	1/2"	3/4"
PP 400 A6	400	637	280	1235	1515	1/2"	1/2"	3/4"
PP 520 A7	520	730	280	1235	1515	1/2"	1/2"	3/4"
PP 620 A8	620	797	280	1235	1515	1/2"	1/2"	3/4"
PP 900 A10	900	956	300	1235	1535	1/2"	1"	1"
PP 1100 A10	1100	956	300	1485	1785	1/2"	1"	1"
PP 1500 A11	1500	1116	300	1485	1785	1/2"	5/4"	5/4"
PP 2000 A11	2000	1116	300	1985	2285	1/2"	5/4"	5/4"

